

Fiber Optic Distribution Boxes, PRO-FDB-016C



Description :

PRO-FDB-016C Fibre Optic Distribution Boxes are designed for use in both fibre-to-the-home and fibre-to-the-premises networks for point-to-point or PON network architectures, both indoor and outdoor models are available to accommodate either standard cables or window cut (break out) cables. The range includes strain relief systems for main cables or for customer drops suitable for multiple applications: aerial, residential, building basement, building riser. The distribution boxes may house fusion splices, mechanical splices or splitters.

Feature:

Can accommodate 1x16 SC/ LC Duplex Adaptor. Material : PC/ABS Alloy or Fire-Retardant ABS . UV and weather proof ; Up to 16 FTTH drops.

Wall and pole mountable.

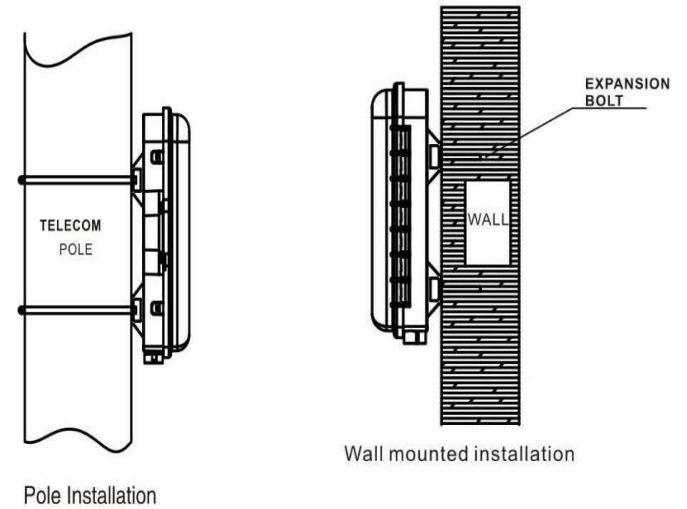
2 inlet ports(for cables with max diameter 14 mm), 16 outlet drop cable ports.

Suitable for used uncut OR cut fiber optic cable.
 Turn-over structure, layout is reasonable with splicing zone below and distribution zone above.

Fiber route reasonable, fiber bending radius at any place is greater than 30 mm.
 The mark is clear on each fiber connection and distribution.
 The door opening angle is greater than 180 degree for easy operation and maintenance.
 The redundant fiber is wound and protected.
 Protection class: IP65
 RoHS compliance

Application:

FTTH access network.
 Telecommunication Networks
 CATV Networks
 Data communications Networks
 Local Area Networks.



Standard Accessories:

Base, Cover, Splice cassette, Heat shrink protective sleeve, Buffer tube, Tray Holder, cable management tool, installation bolts and nuts, cable tube, Cable Ties, Labeling paper, Measuring Paper

Configuration :

Model	Capacity	Dimension	PCS/Carton	Cable ports	G.W/Carton	Size of Carton
PRO-FDB-016C	16 Splices, 16 SC/LC Duplex adaptors or 1*8 PLC Splitter	315mmx236mmx 100 mm	10 PCS	2 Inlet Port (Cut or Uncut Port) + 16 Drop Cable Outlet Ports	15.7 KGS	510mmx320mmx 490mm